

FT-101ZD

CW FILTER INSTALLATION

- (1) Remove the top cover of the transceiver case, as shown in Fig. 1.
- (2) Refer to Fig. 2, and locate the NB-FIX circuit board. Remove its mounting screws, because this board is obstructing the removal of the IF unit.
- (3) Remove the 12-pin, 13-pin, and 15-pin plugs from their sockets on the IF unit. Remove the IF unit mounting screws, and remove the IF unit from the transceiver case.
- (4) Install the optional CW filter as shown in the foil side view of the IF unit (Fig. 3). Make the fastening nuts snug, and solder the pins of the filter to the circuit board, and remove the 2 jumper wires shown in Figure 3.
- (5) Re-install the IF unit, being careful to connect the 12-pin, 13-pin, and 15-pin plugs in the correct sockets. Refer to Fig. 2 to be sure. Re-install the NB-FIX unit, and replace the top cover of the transceiver.
- (6) When the optional CW filter is installed, the CW-N position of the mode switch will activate this filter. In the CW-W position, the SSB 2.4 kHz filter will be in use. The WIDTH control is usable in all modes.

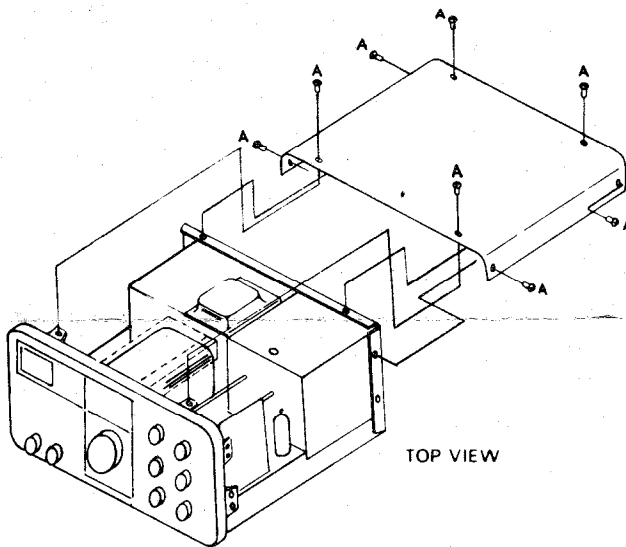


Figure 1

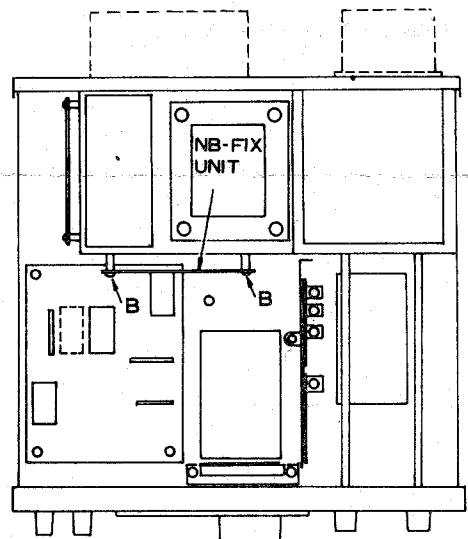


Figure 2

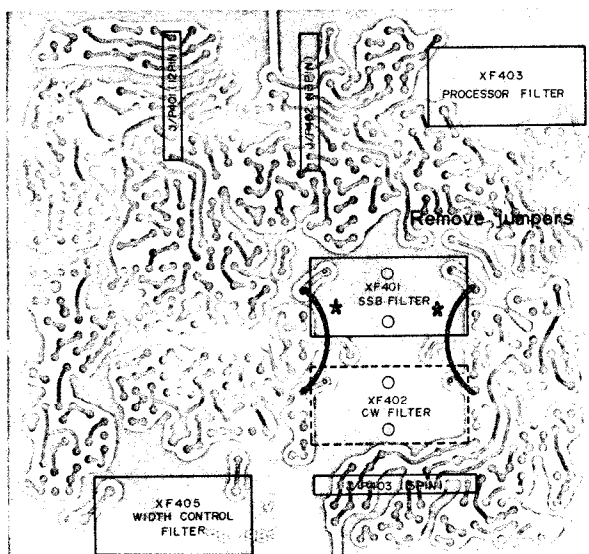


Figure 3

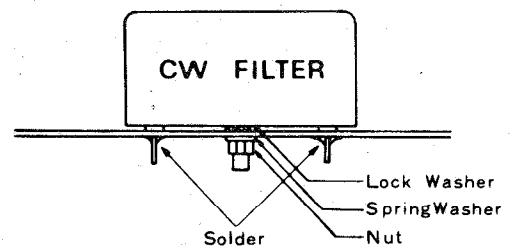


Figure 4